

JBL SOUND POWER SERIES

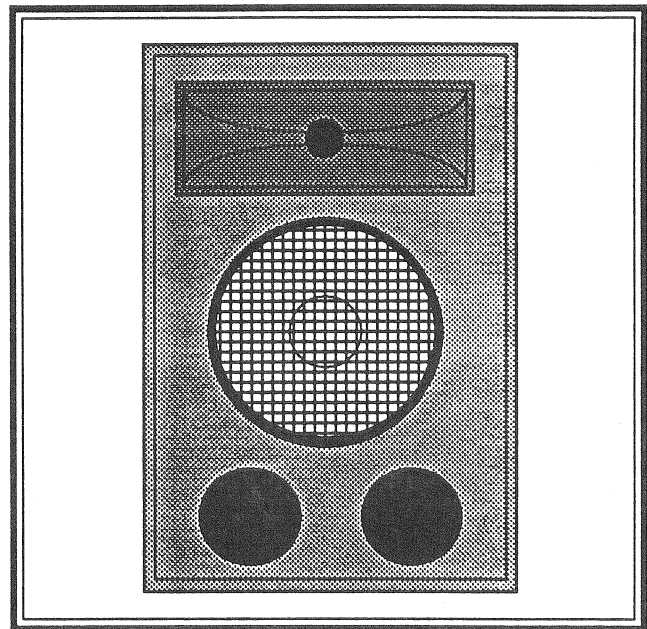
4731A

HIGH POWER TWO-WAY FULL-RANGE SYSTEM

PRELIMINARY SPECIFICATION SHEET

FEATURES:

- ▶ Smooth, accurate response from 60 Hz to 16 kHz
- ▶ Internal passive 900 Hz dividing network
- ▶ High efficiency and power handling
- ▶ Tightly controlled 90° x 40° dispersion
- ▶ Wedge-shaped enclosure for arraying
- ▶ Rugged and attractive finish



The JBL 4731A is a two-way full-range loudspeaker system specifically designed for touring or installation in discotheques and medium to large sized venues. Consisting of a JBL 2226H 380 mm (15 in) high power, low distortion cone driver mounted in a ported enclosure and a JBL 2426J titanium compression driver on a JBL 2370A high frequency 90° x 40° dispersion flat-front Bi-Radial® horn, the 4731A will reliably deliver high maximum output, extended frequency response and excellent audience coverage.

The 4731A system features an internal high-power two-way passive dividing network. Additionally, the 4731A may be used with the Sound Power Series 4742A or 4782A sub-woofer systems where extended low frequency performance is required.

Constructed from Finnish birch plywood, the 4731A cabinet is internally braced for maximum rigidity and durability. The use of large diameter ports prevents compression effects and vent-induced air noise. Finished in a durable dark grey acid-hardened paint, the 4731A's integral recessed cutout handles contribute to a streamlined, professional appearance. A full-fitting removable black nylon grille covers the entire front of the enclosure.

The 4731A can be used alone, in pairs, or with other components of the Sound Power Series to create systems tailored to specific sound reinforcement needs.

Neutrik Speakon™ connectors ensures simple and secure system hook-up. One 4-pin Speakon accommodates all input wiring, with a second 4-pin Speakon carrying loop-through signals for direct connection to a second 4731A, or to a 4742A or 4782A sub-woofer. The heavy-duty rear connector panel features a threaded insert to accept an M12 safety eyebolt. JBL's special 4-conductor cabling is available as an option, allowing simultaneous transmission of full-range and sub-bass signals, if required.

The 4731A is fitted with a 35 mm pole-mount adapter on the base of the cabinet, which will accept any of JBL's MTA Series tripod stands and adapters, to facilitate installation of the 4731A in a wide variety of applications.

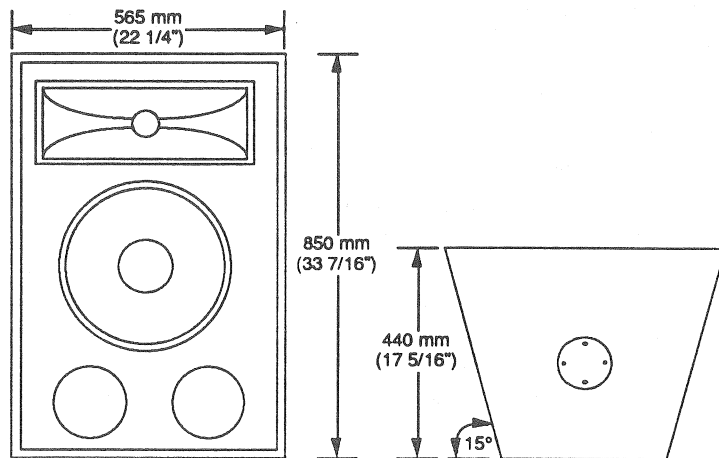
PRELIMINARY SPECIFICATIONS

Model 4731A

Components	1 – JBL 2226H low frequency transducer 1 – JBL 2370A 90° x 40° Flat-Front Bi-Radial Horn 1 – JBL 2426J Compression Driver
Frequency range (-10 dB)	35 Hz—20 kHz
Frequency response (± 3 dB)	60 Hz—16 kHz
Enclosure tuning	50 Hz
Sensitivity	97 db (2.83 V, 1 m) *
Power capacity	TBA
Maximum SPL (1 m, continuous program)	TBA
Recommended low cut frequency	30 Hz
Coverage angles (-6 dB nominal)	90° horizontal 40° vertical
Nominal impedance	8 ohm
Connectors	2 – Neutrik Speakon NL4MPR
Dimensions	850 mm H x 565 mm W x 440 mm D (33 7/16" H x 22 1/4" W x 17 5/16" D)
Finish	Dark grey acid-hardened paint with black nylon grille
Net weight	41 kg (90 lb)

Accessories:

MTA 19670	Tilt Adapter
MTA 21300	Crank-Up Stand
MTA 21465	Heavy Duty Speaker Stand
MTA 24123	"U" Bracket
MTA24125	Heavy Duty Adjustable Wall-Mount Bracket
MTA24126	Heavy Duty Right-Angle Wall-Mount Bracket
MTA 24127	Adapter: "U" Bracket to 35 mm Pole Mount
NL4FC	Neutrik Speakon Cable Connector, 4-Pin
NL4MM	Neutrik Speakon Coupler, 4-Pin
3700-4	4-Wire Speaker Cable
3705-4	4-Wire Speaker Cable, 5 m, with NL4FC Connectors
3720-4	4-Wire Speaker Cable, 20 m, with NL4FC Connectors
4700APNT	Touch-Up Paint



* 2.83 V is 1 W across an 8 ohm load.

JBL continually engages in research related to product improvement. New materials, production methods and design refinements are introduced into existing products without notice as a routine expression of that philosophy. For this reason, any current JBL product may differ in some respect from its published description but will always equal or exceed the original design specifications unless otherwise stated.



JBL International, 8500 Balboa Boulevard, Northridge, CA 91329 U.S.A.
A Harman International Company

TSS4731A 8/90